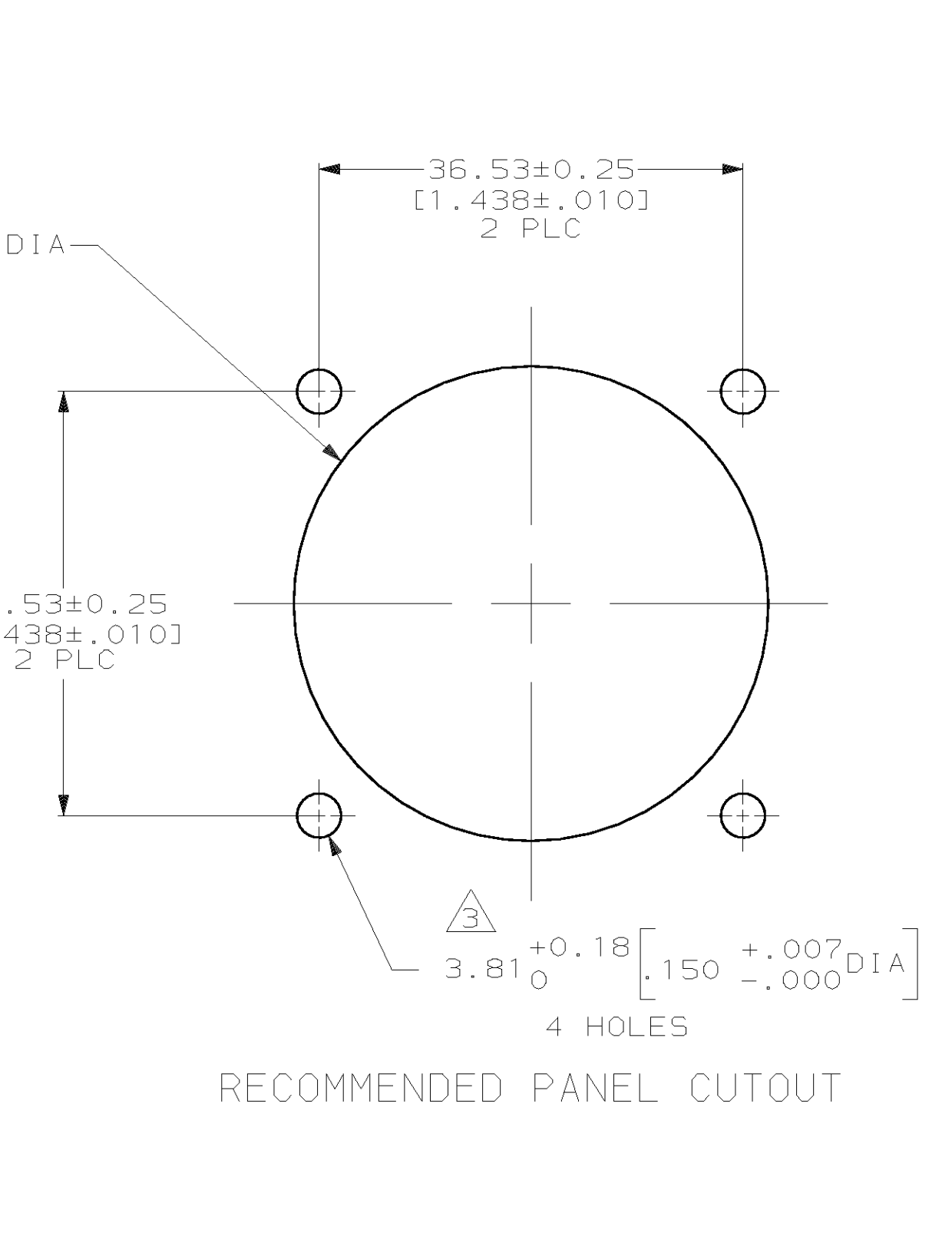
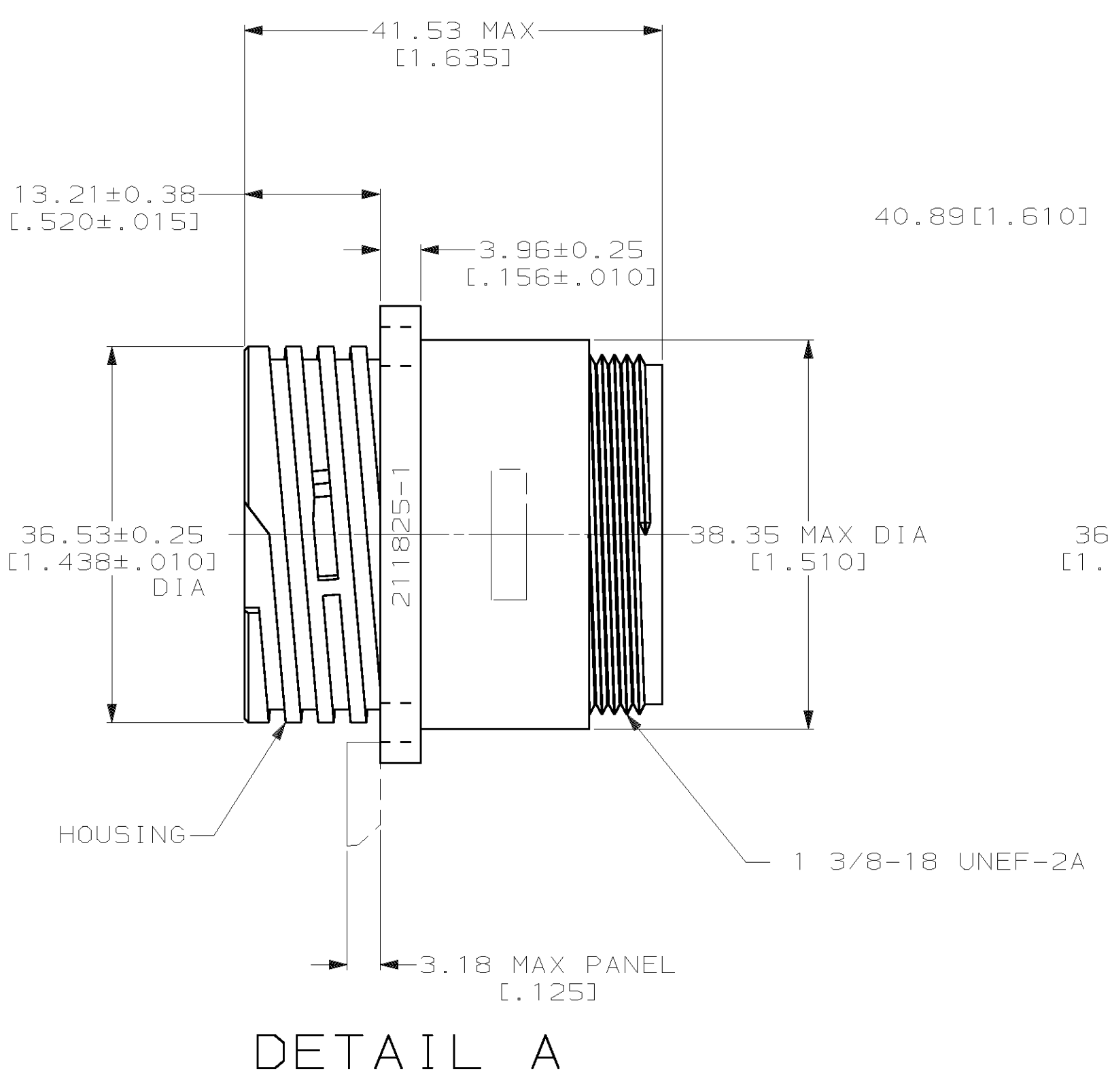
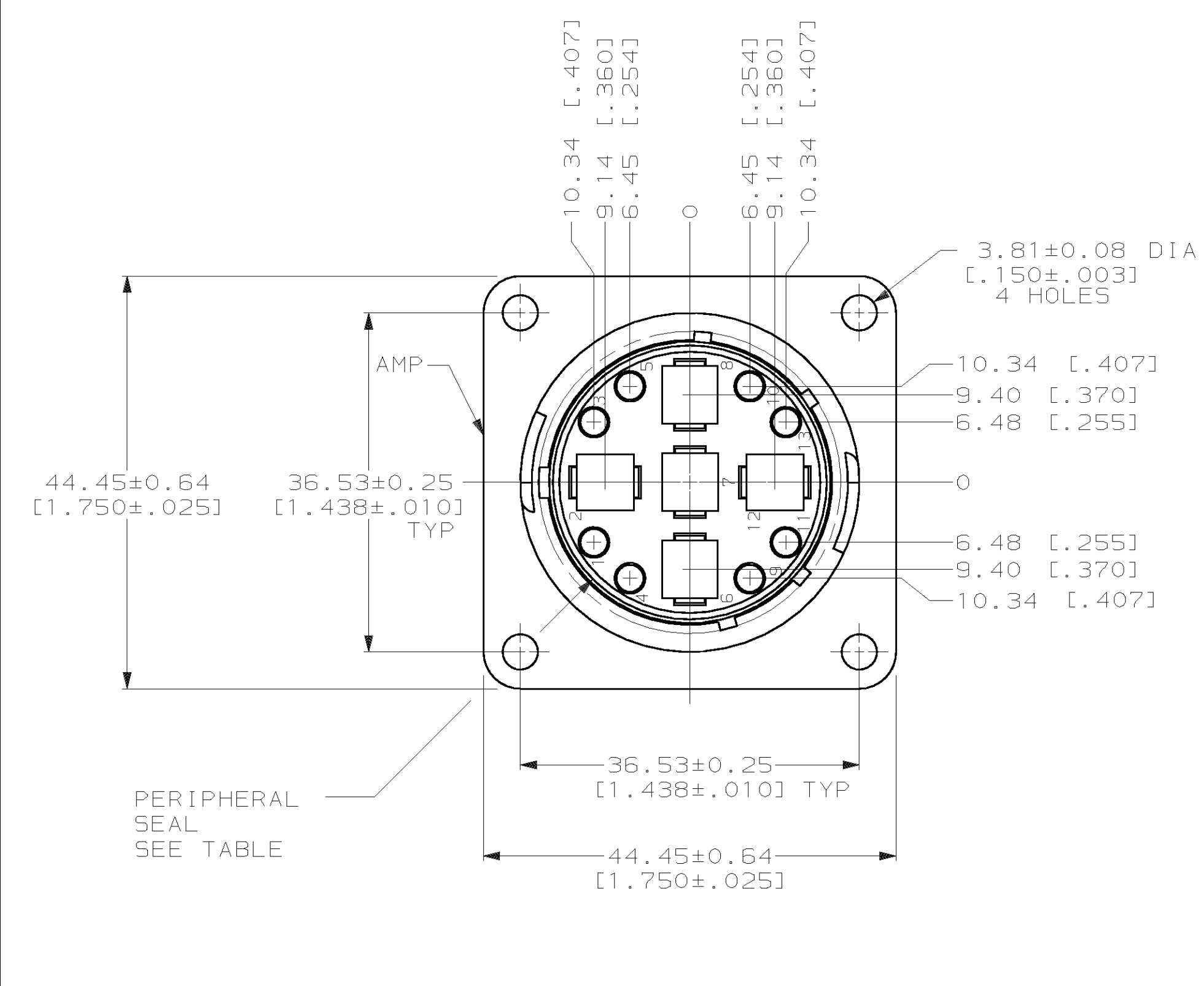
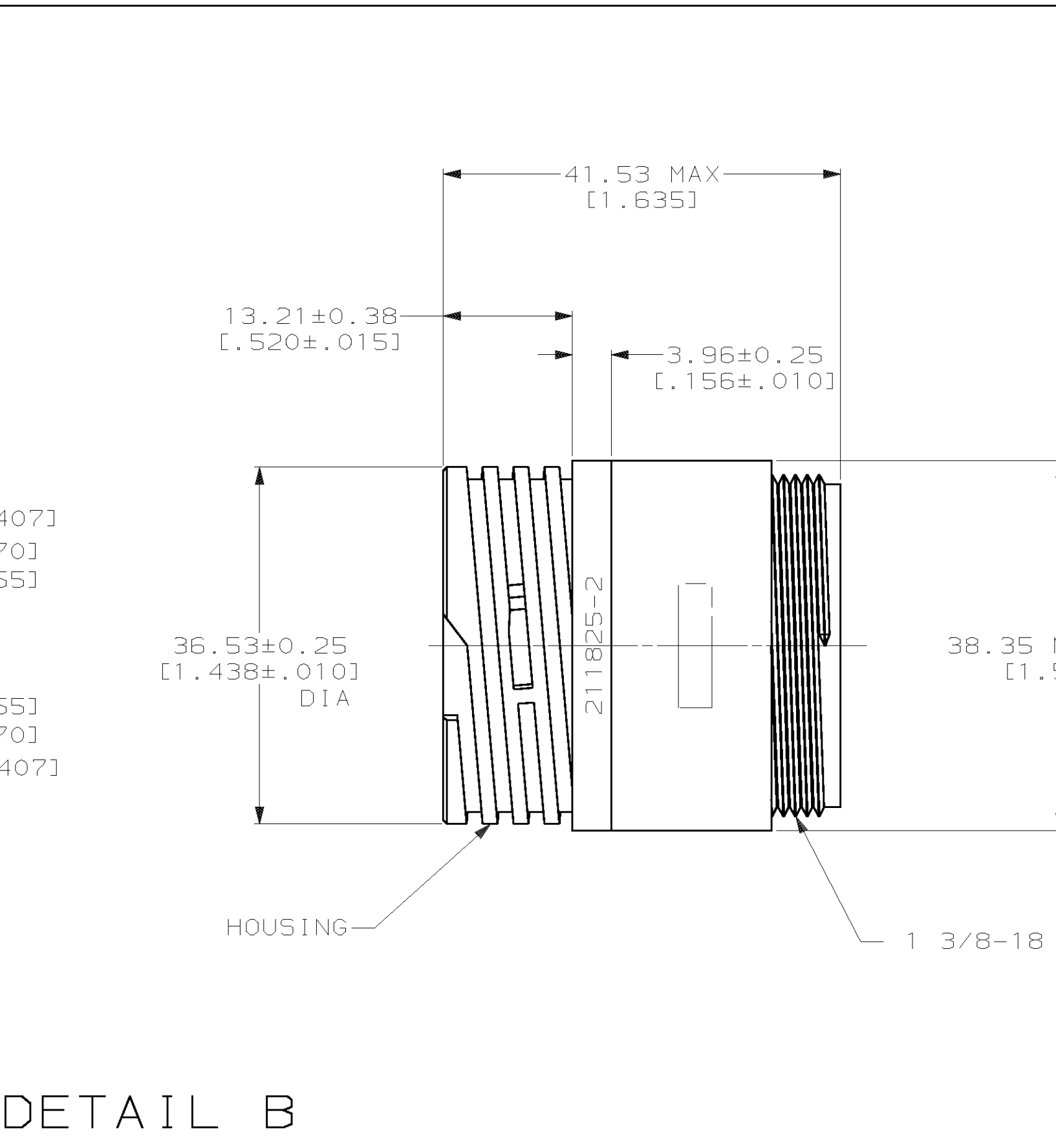
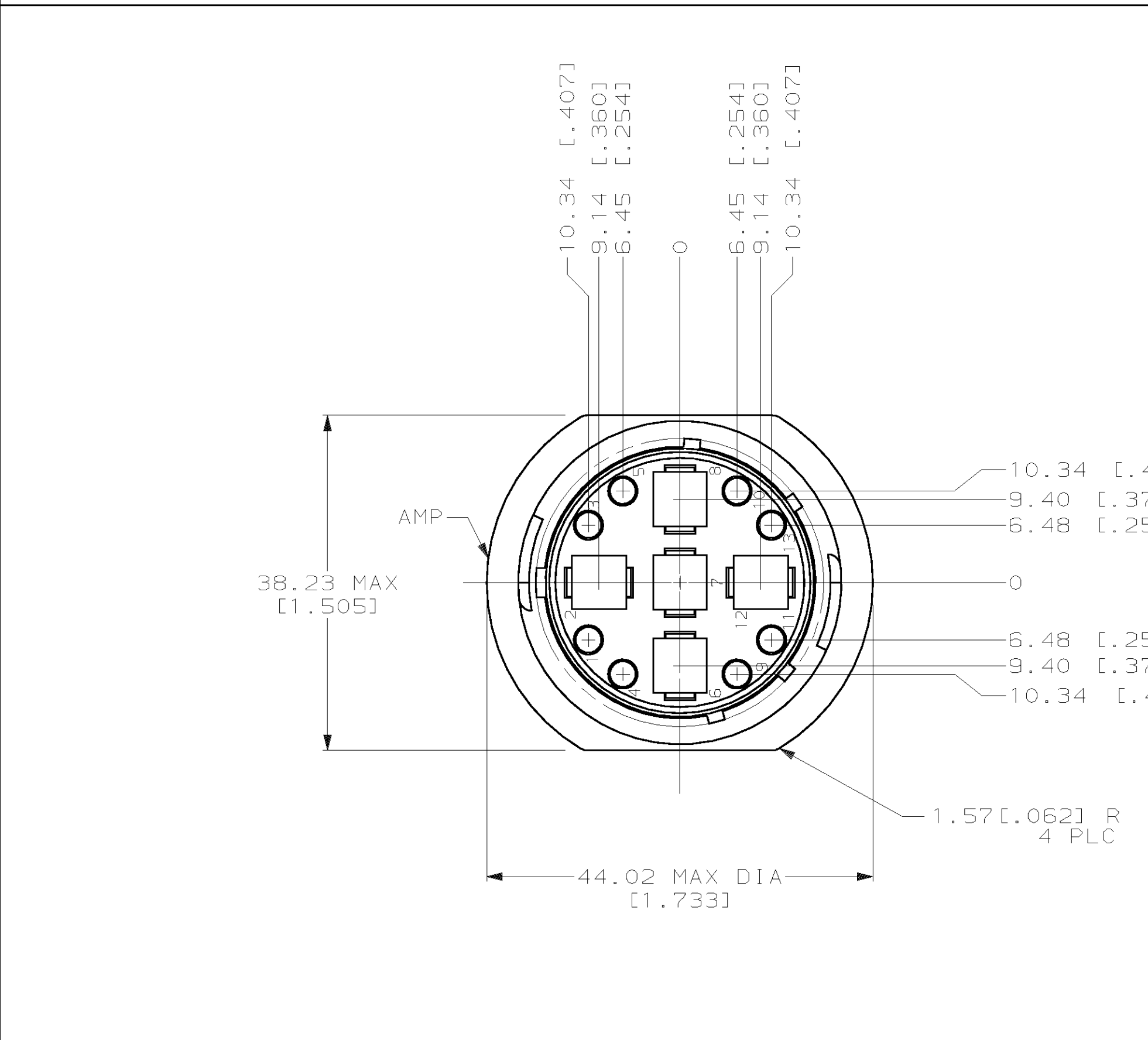


MOD	LOC	DIST	P	F	ZONE	LTR	DESCRIPTION	DATE	APPD
4	BD	35				B	REDRAWN W/O CHANGE PER EC 0020-0569-94	05/26/94	AF
						C	OBSOLETE PER EC 0020-1564-93	08/10/94	AF
						D	REACTIVATED -1 & -2 PER EC 0020-0291-95	04/04/95	AF
						E	REVISE PER EC 0638-0607-01	10/JUN02	SH



DETAIL A



DETAIL B

YES	A	211825-3
NO	B	211825-2
NO	A	211825-1
PERIPHERAL SEAL	SEE DETAIL	PART NUMBER

- WILL ACCEPT (8) MULTIMATE PINS AND (5) TYPE XII MALE CONTACTS.
- CAVITY IDENTIFICATION ON FRONT AND REAR FACE.
- NO. 4 FASTENERS RECOMMENDED FOR MOUNTING.
- MAX WIRE INSULATION DIAMETERS:
MULTIMATE; 3.43[0.135] MAX DIA.
TYPE XII; 5.59[0.220] MAX DIA.
- THIS RECEPTACLE MATES WITH PLUG ASSEMBLY 211824-1.

DO NOT SCALE PRINT.
 UNLESS SPECIFIED
 DIMENSIONS IN mm [INCHES]
 TOLERANCES ON:
 2 PLC DEC ±0.13 [0.005]
 3 PLC DEC ± -
 ANGLES ± -

HOUSING: NYLON, BLACK

FINISH -

DR 05/26/94
M.BINNER
 CHK 6-23-94
R.STONE
 APPD 7-13-94
A.FRANTUM
 APPD 7-13-94
A.FRANTUM
 PRODUCT SPEC
108-10024
 APPLICATION SPEC
-

AMP AMP Incorporated
 Harrisburg, PA 17105-3608

NAME
 RECEPTACLE HOUSING, STANDARD SEX,
 SHELL SIZE 23, CPC

SIZE	CAGE CODE	DRAWING NO
D	00779	C-211825
SCALE	2:1	SHEET 1 OF 1

THIS DRAWING IS A CONTROLLED DOCUMENT FOR AMP INCORPORATED. IT IS SUBJECT TO CHANGE AND THE CONTROLLING ENGINEERING ORGANIZATION SHOULD BE CONTACTED FOR THE LATEST REVISION.